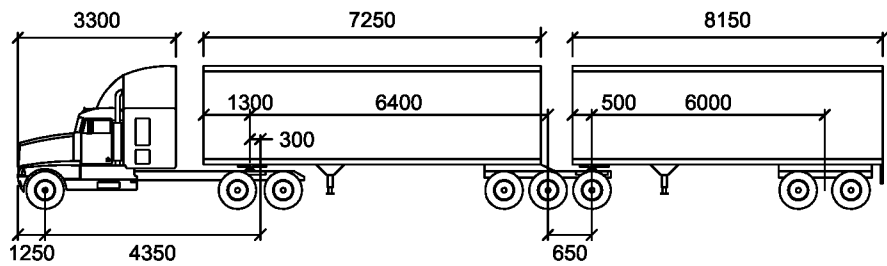
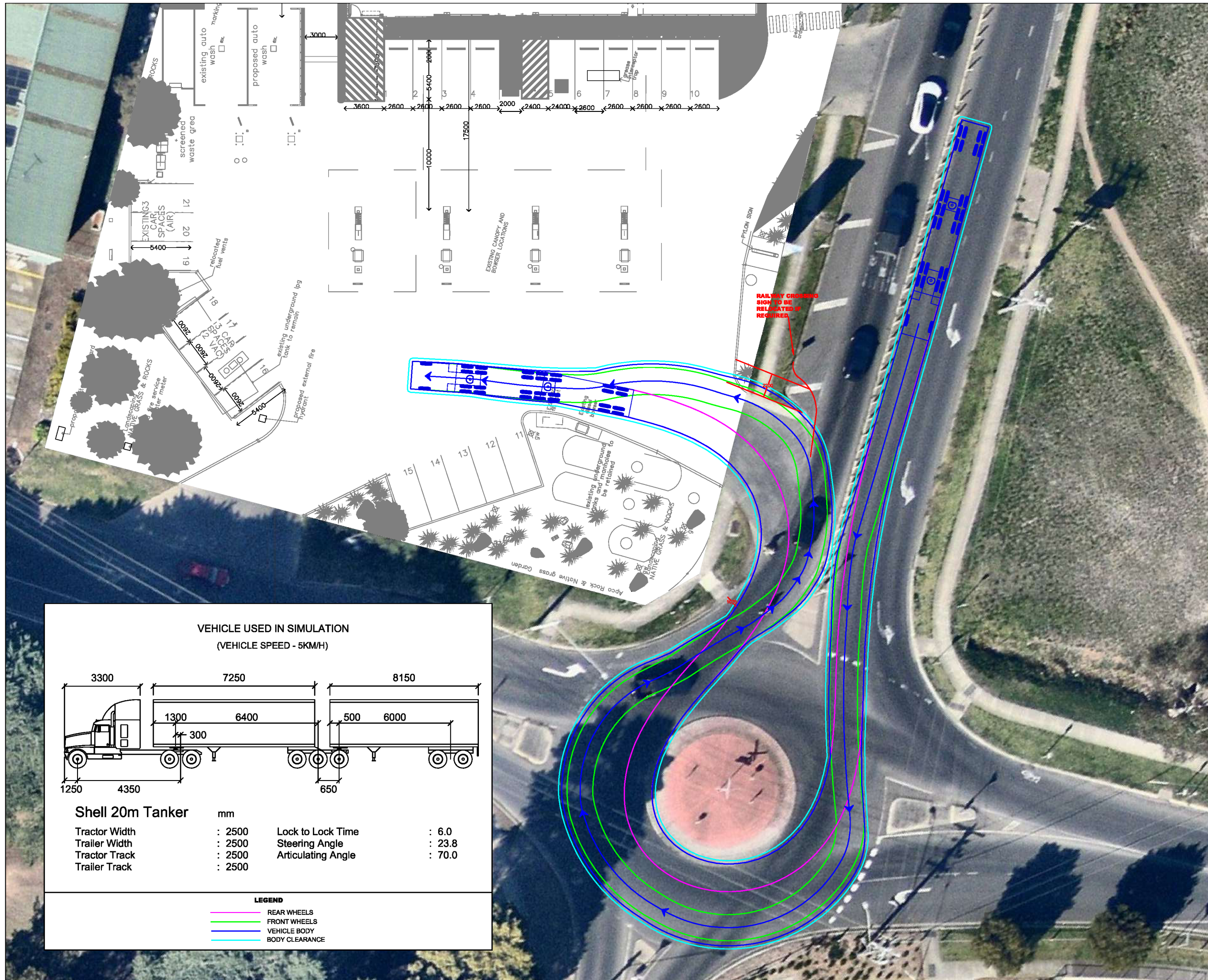


SHELL 20M TANKER ENTRY



Shell 20m Tanker

	mm		
Tractor Width	: 2500	Lock to Lock Time	: 6.0
Trailer Width	: 2500	Steering Angle	: 23.8
Tractor Track	: 2500	Articulating Angle	: 70.0
Trailer Track	: 2500		

LEGEND

- REAR WHEELS
- FRONT WHEELS
- VEHICLE BODY
- BODY CLEARANCE

5 MILL ROAD, LARA
SERVICE STATION REDEVELOPMENT

GENERAL NOTES:
BASE INFORMATION FROM: TP103 SITE PLAN - PROPOSED.dwg

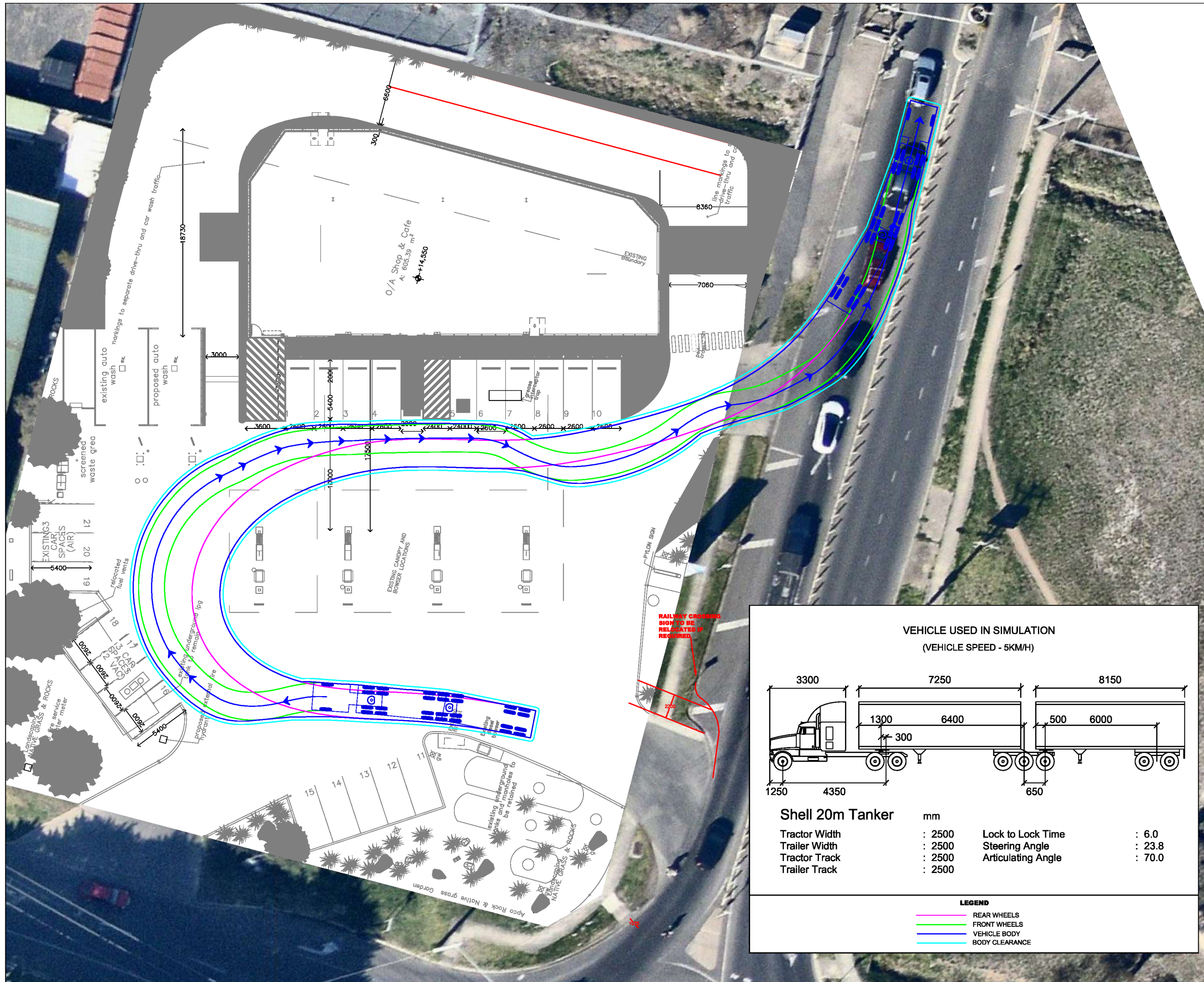
REV	DATE	NOTES
A	14/05/2026	INITIAL ISSUE

FILE NAME: G37355-02.dwg
SHEET NO.: 1



SCALE: 1:200 (A3)
0 2 4

COPYRIGHT: The ideas and material contained in this document are the property of Traffix Group (Traffix Group Pty Ltd - ABN 32 100 481 570). Use or copying of this document in whole or in part without the written permission of Traffix Group constitutes an infringement of copyright.



VEHICLE USED IN SIMULATION
(VEHICLE SPEED - 5KM/H)

Shell 20m Tanker		mm	
Tractor Width	: 2500	Lock to Lock Time	: 6.0
Trailer Width	: 2500	Steering Angle	: 23.8
Tractor Track	: 2500	Articulating Angle	: 70.0
Trailer Track	: 2500		

LEGEND

- REAR WHEELS
- FRONT WHEELS
- VEHICLE BODY
- BODY CLEARANCE

5 MILL ROAD, LARA
SERVICE STATION REDEVELOPMENT



REV	DATE	NOTES
A	14/05/2026	INITIAL ISSUE

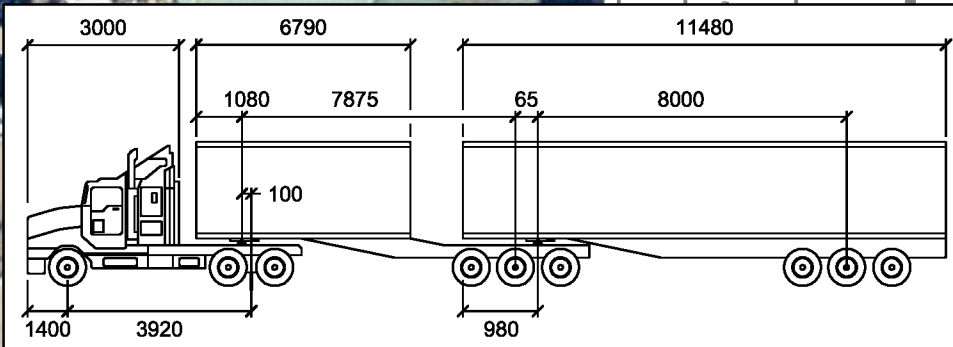
FILE NAME: G37355-02.dwg
SHEET NO.: 2



SCALE: 1:200 (A3)

COPYRIGHT: The ideas and material contained in this document are the property of Traffix Group (Traffix Group Pty Ltd - ABN 32 100 481 570). Use or copying of this document in whole or in part without the written permission of Traffix Group constitutes an infringement of copyright.

23M B-DOUBLE ENTRY AND EXIT

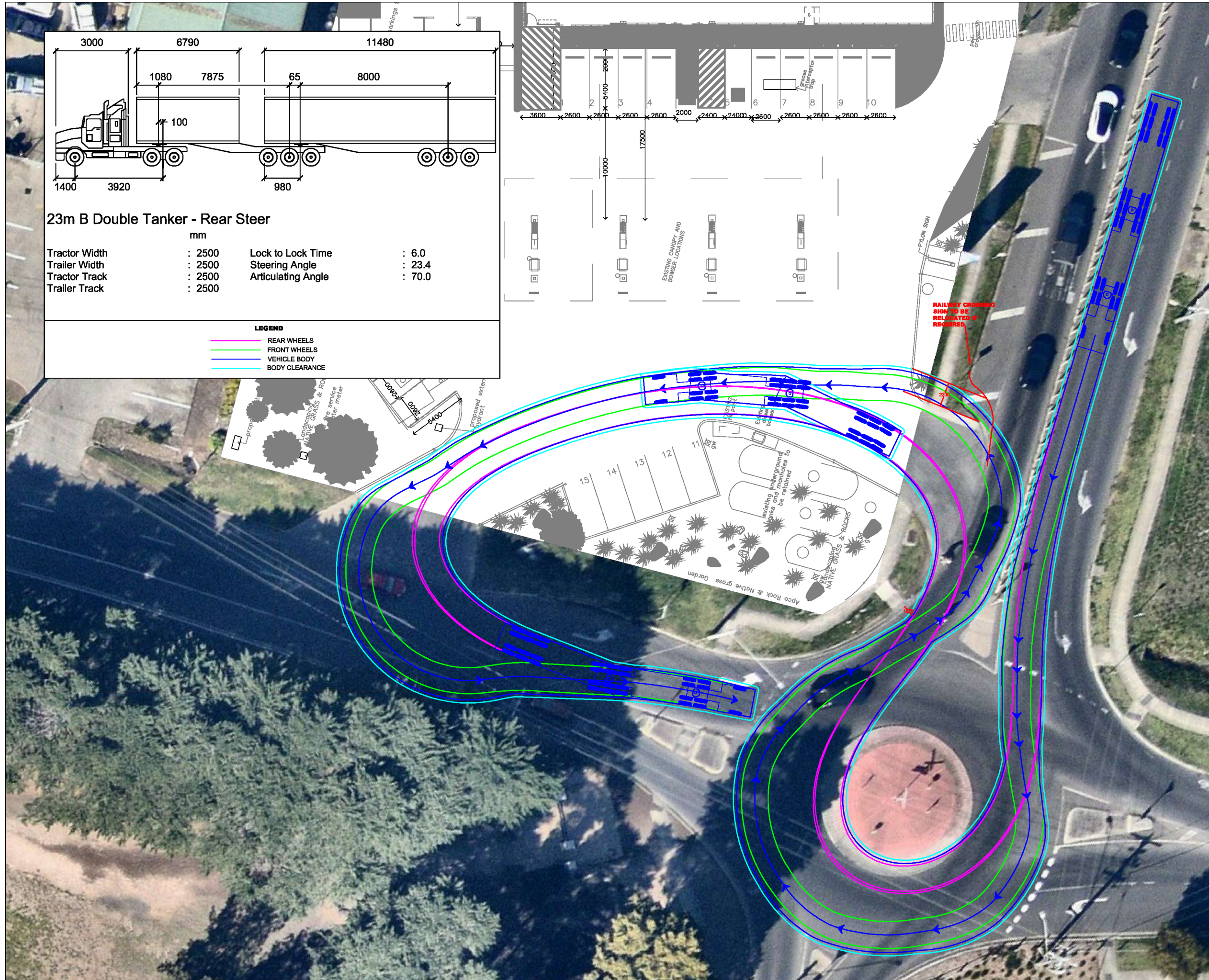
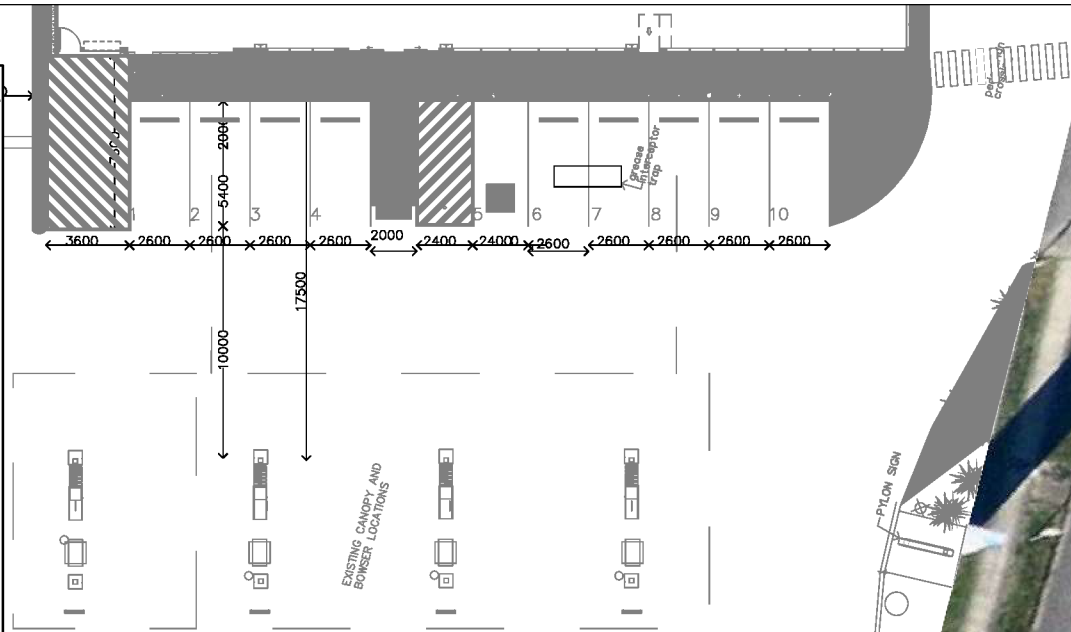


23m B Double Tanker - Rear Steer

mm			
Tractor Width	: 2500	Lock to Lock Time	: 6.0
Trailer Width	: 2500	Steering Angle	: 23.4
Tractor Track	: 2500	Articulating Angle	: 70.0
Trailer Track	: 2500		

LEGEND

- REAR WHEELS
- FRONT WHEELS
- VEHICLE BODY
- BODY CLEARANCE



5 MILL ROAD, LARA
SERVICE STATION REDEVELOPMENT

REV	DATE	NOTES
A	14/05/2026	INITIAL ISSUE

FILE NAME: G37355-02.dwg
SHEET NO.: 3



SCALE: 1:200 (A3)

COPYRIGHT: The ideas and material contained in this document are the property of Traffix Group (Traffix Group Pty Ltd - ABN 32 100 481 570). Use or copying of this document in whole or in part without the written permission of Traffix Group constitutes an infringement of copyright.