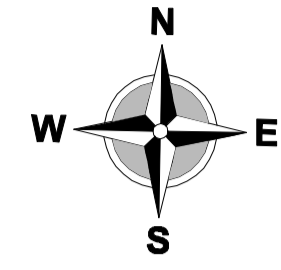


Warralily - East Precinct Sparrovale Outfall


Ref: 3440989ENAC-SK69
Revision: C
Date: 1/06/2015
Scale: N.T.S.




ALL BOUNDARY LINES AND AREAS CONTAINED WITHIN THIS PLAN REMAIN APPROXIMATE ONLY UNTIL VERIFIED VIA FIELD SURVEY. ACCURACY PRIOR TO FIELD SURVEY IS APPROXIMATELY +/- 5m



Example of Weir with removable drop boards. For this project our requirements are 1.2m wide weir only. (approx one bay only on the above example).

 ACQUISITION FOR DRAINAGE 3.71ha

 MINIMUM DRAINAGE CHANNEL 22m WIDE

Link channel connection to be upstream (west) of the proposed internal Sparrovale Wetlands levee.

HZ3

HZ AND RESIDUAL AREAS TO ESP BOUNDARY 4.51 ha

HZ2

HZ AND RESIDUAL AREAS TO RSP BOUNDARY 5.29 ha

HZ42

Adjustable Weir Control
1.2m wide with removable drop boards or similar RL 1.3 AHD

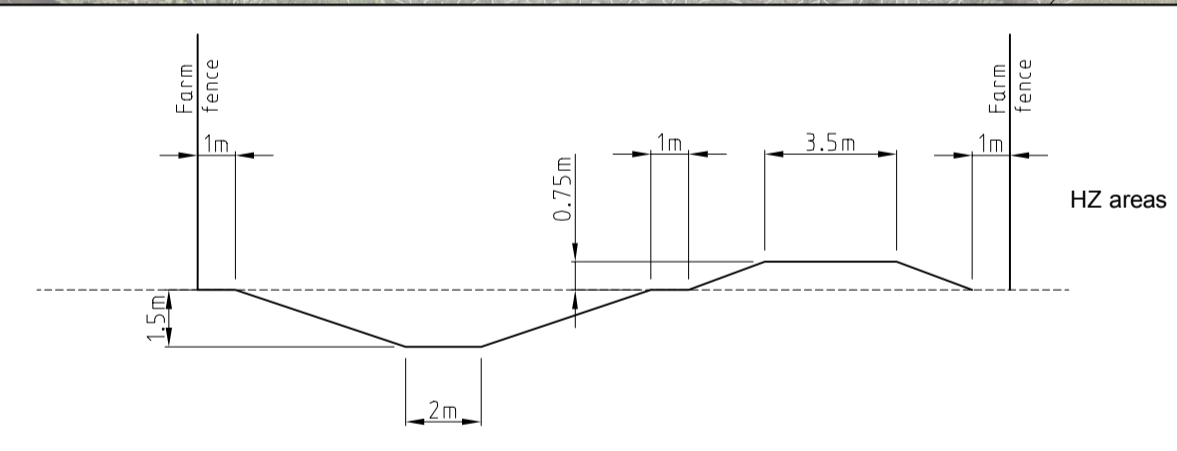
Temporary open drain to divert flows to link channel (replaced by future wetlands)

Gate Valve fitted to existing 300dia PVC pipe

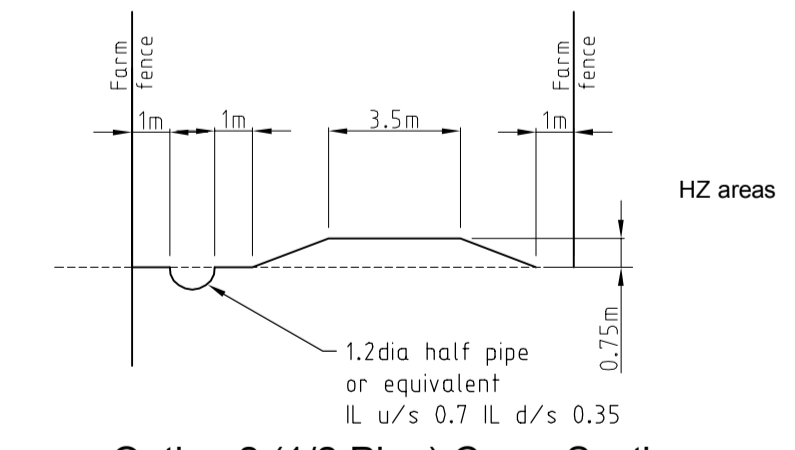
Neighbourhood Activity Centre Outfall and Wetlands

Twin 1800dia culvert crossing to permanent wetlands with access road over.

RL 2.5
RL 3.0 CURRENT FLOOD LEVEL



Option 1 (Channel) Cross Section



Option 2 (1/2 Pipe) Cross Section Sparrovale Outfall Channel Detail